

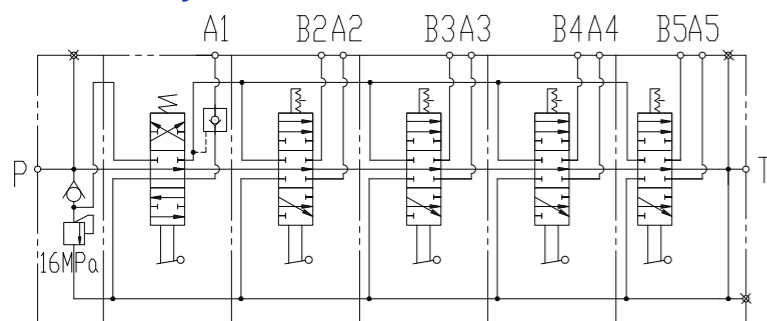
BLV-4SDN40-5 整体式下车多路阀

BLV-4SDN40-5 Mono-block Directional Control Valve For Crane Chassis

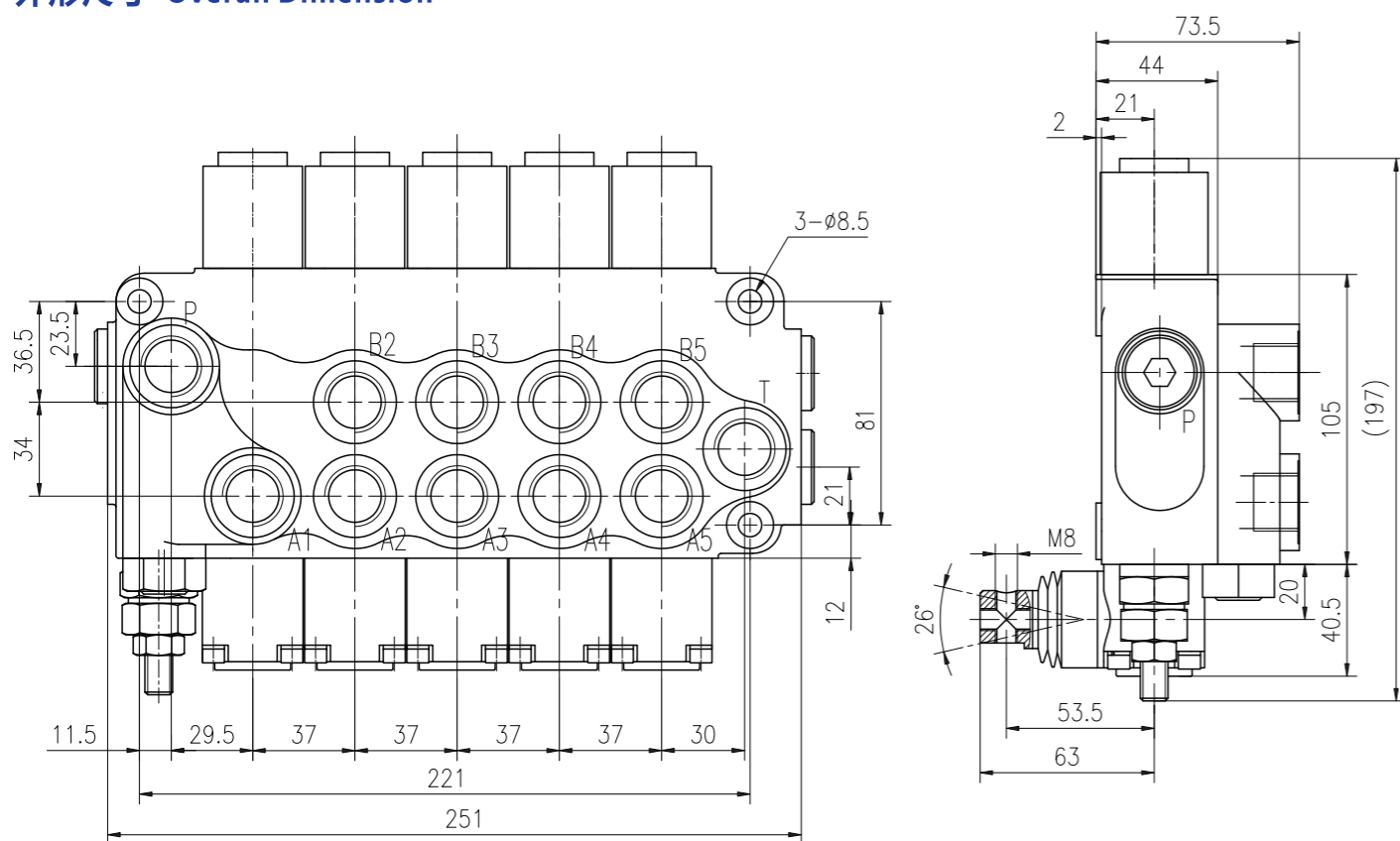
技术参数 Technical Specifications

额定压力：31.5Mpa;
 额定流量：40L/min;
 适用介质：液压油
 Working Pressure: :31.5Mpa;
 Rated Flow : 40L/min;
 Applicable Medium: Hydraulic Oil

图形符号 Hydraulic Schematic



外形尺寸 Overall Dimension



油口尺寸：G1/2：P、T、Ai、Bi

