

BLV-VMS12/31.5型行程控制阀

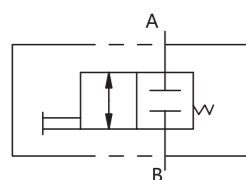
BLV-VMS12/31.5 Stroke Control Valve

技术参数 Technical Specifications

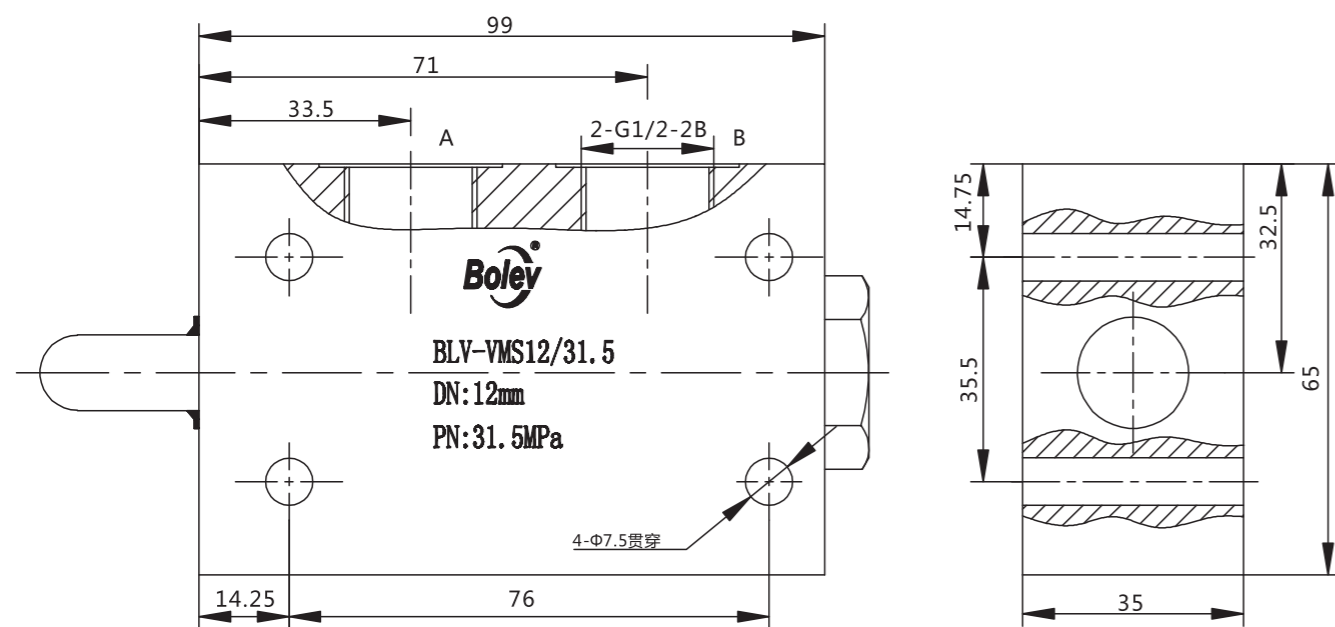
公称通径：12mm
 额定压力：31.5MPa
 适用介质：液压油

Nominal Diameter: 12 mm
 Nominal Pressure: 31.5MPa
 Applicable Medium: Hydraulic Oil

图形符号 Hydraulic Schematic



外形尺寸 Overall Dimension



BLV-VMS12/31.5-B型行程控制阀

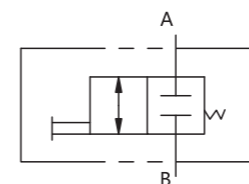
BLV-VMS12/31.5-B Stroke Control Valve

技术参数 Technical Specifications

公称通径：12mm
 额定压力：31.5MPa
 适用介质：液压油

Nominal Diameter: 12 mm
 Nominal Pressure: 31.5MPa
 Applicable Medium: Hydraulic Oil

图形符号 Hydraulic Schematic



外形尺寸 Overall Dimension

