

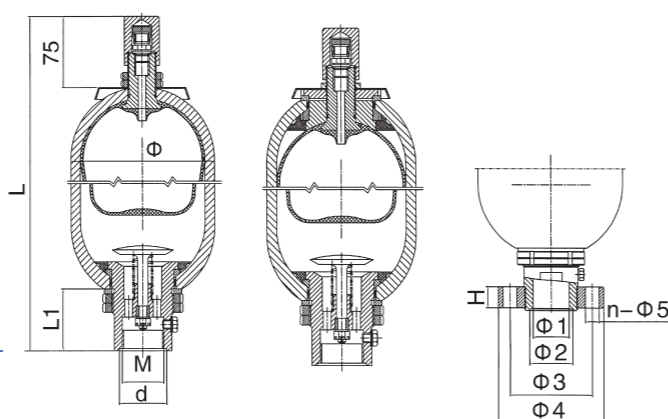
## NXQ系列蓄能器 NXQ Series Accumulator

### 型号说明 Model Code

NXQ - □ -- □ / □ -- □ -- □  
1 2 3 4 5 6

1. 系列代号: 液压囊式蓄能器
2. 结构型式: 1(A)小口 2(AB)大口
3. 公称容积(L):
4. 公称压力(MPa):
5. 连接形式: L-螺纹、F-法兰
6. 工作介质: Y-液压油 R-乳化液

1. Series Code: Hydraulic Bladder Accumulator
2. Structure: 1(A)Small opening 2(AB)Big opening
3. Nominal Volume:
4. Nominal Pressure:
5. Joint Mode: L-Thread, F-Flange
6. Medium: Y-Hydraulic Oil R-Emulsion



### 结构简图 Structure Sketch

型号 Model	公称压力 (MPa) Nominal Pressure	公称容积 (L) Nominal Volume	尺寸/Size (mm)										重量 (kg) Weight		
			M	d	Φ1	Φ2	Φ3	Φ4	n-Φ5	L1	H	连接方式		Φ	
												螺纹			法兰
NXQ*-0.4*-L(F)*	10	0.4	M27X2	/	22	30	85	115	4-Φ17	52	22	L		89	3
NXQ*-0.63*-L(F)*		260										270			
NXQ*-1*-L(F)*		315										325			
NXQ*-1*-L(F)*		430										440			
NXQ*-1.6*-L(F)*		330										340			
NXQ*-1.6*-L(F)*		365										380			
NXQ*-2.5*-L(F)*		M42X2	2.5	50	42	50	97	130	6-Φ17	66	28	L		152	11
NXQ*-2.5*-L(F)*			430									445			
NXQ*-4*-L(F)*			540									555			
NXQ*-4*-L(F)*			710									725			
NXQ*-6.3*-L(F)*			650									665			
NXQ*-6.3*-L(F)*			860									875			
NXQ*-10*-L(F)*	M60X2	10	70	55	65	125	160	6-Φ21	90	32	L		219	54	
NXQ*-10*-L(F)*		985									1000				
NXQ*-16*-L(F)*		1160									1175				
NXQ*-16*-L(F)*		1400									1415				
NXQ*-20*-L(F)*		1680									1695				
NXQ*-20*-L(F)*		680									695				
NXQ*-20*-L(F)*	M72X2	20	80	70	80	150	200	6-Φ26	106	40	L		299	80	
NXQ*-20*-L(F)*		770									785				
NXQ*-25*-L(F)*		1050									1065				
NXQ*-25*-L(F)*		1230									1245				
NXQ*-40*-L(F)*		1470									1485				
NXQ*-40*-L(F)*		1810									1825				
NXQ*-50*-L(F)*	M85X2	50	95	83	95	170	230	6-Φ26	110	40	L		351	213	
NXQ*-50*-L(F)*		3125									3140				
NXQ*-63*-L(F)*		1170									1185				
NXQ*-63*-L(F)*		1395									1410				
NXQ*-80*-L(F)*		1660									1675				
NXQ*-80*-L(F)*		1990									2005				
NXQ*-100*-L(F)*	31.5	100	95	83	95	170	230	6-Φ26	110	40	L		351	206	
NXQ*-100*-L(F)*		2310									2325				
NXQ*-125*-L(F)*		2450									2465				
NXQ*-125*-L(F)*		2700									2715				
NXQ*-150*-L(F)*		2980									2995				
NXQ*-150*-L(F)*		3125									3140				
NXQ*-160*-L(F)*	31.5	160	95	83	95	170	230	6-Φ26	110	40	L		351	253	
NXQ*-160*-L(F)*		2450									2465				
NXQ*-180*-L(F)*		2700									2715				
NXQ*-180*-L(F)*		2980									2995				
NXQ*-200*-L(F)*		3125									3140				
NXQ*-200*-L(F)*		3125									3140				

## 测压软管与测压接头 Pressure Testing Hose And Adapter

### 简介 Introduction

HF系列微型高压软管接头总成和PT系列微型测压接头公称通径为3mm, 最大工作压力为64Mpa. 用于液压系统中, 测试液压系统中各点压力和作为传导流体介质的管道, 该软管接头总成和测压接头具有结构先进, 密封可靠, 扣压牢靠, 体积小, 重量轻, 使用简便等特点, 其连接形式有铰接式, 快换式, 锥面密封式等形式, 本公司也可提供用户需要的其它连接形式。

HF hose assembly and PT adapter are designed for testing pressure in a hydraulic system. By installing the PT adapter in your system, you will save the use of expensive fixed gauges and reduce down time. Working pressure of 64Mpa ensures extra long service life and reliability.

### 技术参数 Technical Specifications

- 公称通径: 3.0mm
- 软管通径: 2.9mm
- 软管外径: 6.0mm
- 重量: 23g/m
- 适用温度: -70~+260°C
- 化学性能: 耐酸性溶剂
- 环境适用性: 耐臭氧和紫外线无吸湿性
- 最大动态压力: 40MPa
- 最大静态压力: 64MPa
- 最小爆破压力: 160MPa
- 最小弯曲半径: 30mm
- 寿命: According DIN20024
- 安全系数: 静载荷时为2.5、动载荷时为4

- Normal diameter d: 3.0mm
- Hose inside diameter d1: 2.9mm
- Hose outer diameter D: 6.0mm
- Weight G: 23g/m
- Temperature range: -70~+260°C
- Chemical properties: Acid-resistant
- Surrounding suitability: ozone-resistant, resistance to ultraviolet light and no moisture absorption
- Max. dynamic pressure Pd: 40MPa
- Max. quiescent pressure Ps: 64MPa
- Min. Cracking Pressure Pe: 160MPa
- Min. bending radius Rmtn: 30mm
- Life: According DIN20024
- Safety Coefficient: Static, Dynamic, Static 2.5, Dynamic 4



### 适用介质 Fluid Service

矿物油, 水-乙二醇, 酒精, 汽油, 乳化液, 磷酸酯 (需要特殊订货)  
Mineral oil, water-glycol, alcohol, gasoline line, water-oil emulsions phosphate ester (special order)