

# SMK测压接头 SMK Testing Coupling

## 技术参数 Technical Specifications

### 材料

金属件：钢，不锈钢请垂询  
 钢珠：不锈钢  
 密封件/Seals: P=NBR (丁腈橡胶) 温度范围-20至+90°C  
 V=FPM (氟橡胶) 温度范围-20至+200°C  
 E=EPDM (乙丙橡胶) 适用于制动液  
 软管/Hose: 聚酰胺, 温度范围至100°C

### Material

Metal parts : Steel, Stainless Steel on request  
 Balls: Stainless  
 P=NBR Temperature:-20 to +90°C  
 V=FPM Temperature:-20 to +200°C  
 E=EPDM Suitable for brake fluid  
 PA, Temperature: up to 100°C

### 额定压力

允许的工作压力630巴；  
 最大可在400巴压力下接合；  
 对于G、K和S式的SMK型测压接头，其允许的工作压力必须注意到螺栓紧固件制造厂的有关规定。

### Working pressure

Max working pressure 630bar;  
 Can be connected at max 400bar;  
 For G,K and S SMK test connector, the max working pressure is limited by the fasten parts, please refer to the specs of the parts.

### 优点

可在系统压力下接合；  
 钢珠打开前的连接密封好，无压力损失；  
 测量、检测和开关仪表可很方便地连接；  
 金属的保护帽不会松动。

### Advantage

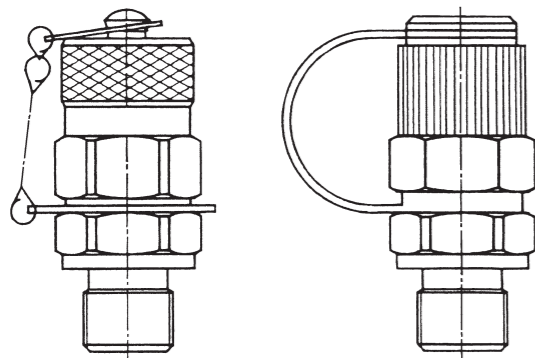
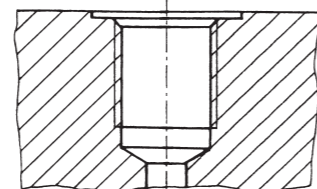
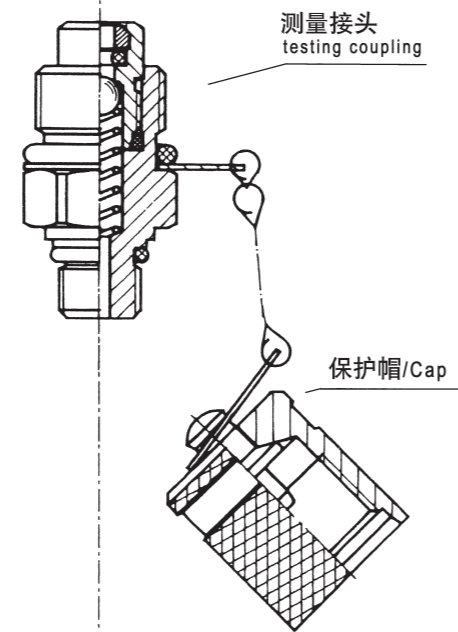
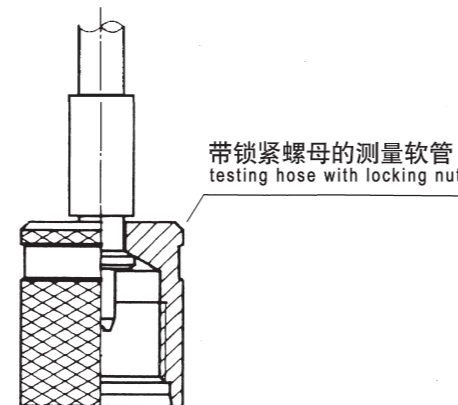
Can be connected while system is pressurized;  
 Good seal before the ball opens, no pressure lost;  
 Test, inspection, valves and guages can be connected easily;  
 Stable mounting of the cap.

### 作用

压力监控和检测；  
 排气；  
 高压、低压和负压系统中的取样。

### Function

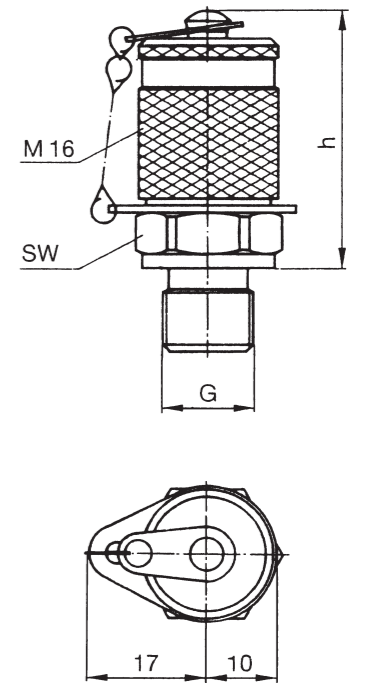
Pressure monitor and inspection;  
 Release air;  
 Sampling from a high pressure, low pressure or nagtive pressure system.



## 带保护帽的测量接头/testing couplings with protection cap

螺纹 (G)	h	SW	订货标记 Order tag		密封件 Sealing element	
			NBR	FPM		
M8x1	37	17	SMK20-M8x1-PA	SMK20-M8x1-VA	A式O形圈	A Type O-ring
M10x1	37	17	SMK20-M10x1-PA	SMK20-M10x1-VA	A式O形圈	A Type O-ring
M12x1.5	37	17	SMK20-M12x1.5-PC	SMK20-M12x1.5-VC	C式软密封	C Type soft seal
M14x1.5	37	19	SMK20-M14x1.5-PB	SMK20-M14x1.5-VB	B式密封唇边	B Type sealing lips
M16x1.5	37	22	SMK20-M16x1.5-PB	SMK20-M16x1.5-VB	B式密封唇边	B Type sealing lips
G1/8	37	17	SMK20-G1/8-PC	SMK20-G1/8-VC	C式软密封	C Type soft seal
G1/4	37	19	SMK20-G1/4-PB	SMK20-G1/4-VB	B式密封唇边	B Type sealing lips
G1/4	37	19	SMK20-G1/4-PC	SMK20-G1/4-VC	C式软密封	C Type soft seal
G3/8	37	22	SMK20-G3/8-PB	SMK20-G3/8-VB	B式密封唇边	B Type sealing lips
R1/8带锥度	36	17	SMK20-R1/8K-PD	SMK20-R1/8K-VD	D式螺纹	D Type screw thread
R1/4带锥度	36	17	SMK20-R1/4K-PD	SMK20-R1/4K-VD	D式螺纹	D Type screw thread
1/8NPT	36	17	SMK20-1/8NPT-PD	SMK20-1/8NPT-VD	D式螺纹	D Type screw thread
1/4NPT	37	17	SMK20-1/4NPT-PD	SMK20-1/4NPT-VD	D式螺纹	D Type screw thread
5/16-24UNF	37	17	SMK20-5/16UNF-PE	SMK20-5/16UNF-VE	E式O形圈	E Type O-ring
7/16-20UNF	37	17	SMK20-7/16UNF-PE	SMK20-7/16UNF-VE	E式O形圈	E Type O-ring
1/2-20UNF	37	17	SMK20-1/2UNF-PE	SMK20-1/2UNF-VE	E式O形圈	E Type O-ring
9/16-18UNF	38	19	SMK20-9/16UNF-PE	SMK20-9/16UNF-VE	E式O形圈	E Type O-ring

注：其他螺纹和密封形式请垂询。For more thread, please send inquiry.



## 旋入孔和密封式样/Thread & Seal

A式	B式	C式	D式	E式
G d <sub>1</sub> t <sub>1</sub> t <sub>2</sub>	G d <sub>1</sub> t <sub>1</sub> t <sub>2</sub> a	G d <sub>1</sub> t <sub>1</sub> t <sub>2</sub> a	G t <sub>1</sub> t <sub>2</sub>	G d <sub>1</sub> d <sub>2</sub> t <sub>1</sub> t <sub>2</sub> a
M8x1 9.5+0.111 15.5	G14x1.5 20 12 18.5 1.5	M12x1.5 18 12 18.5 1.5	R1/8带锥度 5.5 9.5	5/16-24UNF 9.1 17 10 12 1.9
M10x1 11.5+0.112 16.5	G16x1.5 22 12 18.5 1.5	G1/6 15 8 13 1.5	R1/4带锥度 8.5 13.5	7/16-20UNF 12.4 21 11.5 14 2.4
	G1/4 19 12 18.5 1.5	G1/4 19 12 18.5 1.5	1/8NPT 9 13.5	1/2-20UNF 14 23 11.5 14 2.4
	G3/8 23 12 18.5 2		1/4NPT 12 18.5	9/16-18UNF 15.6 25 12.7 15.5 2.5